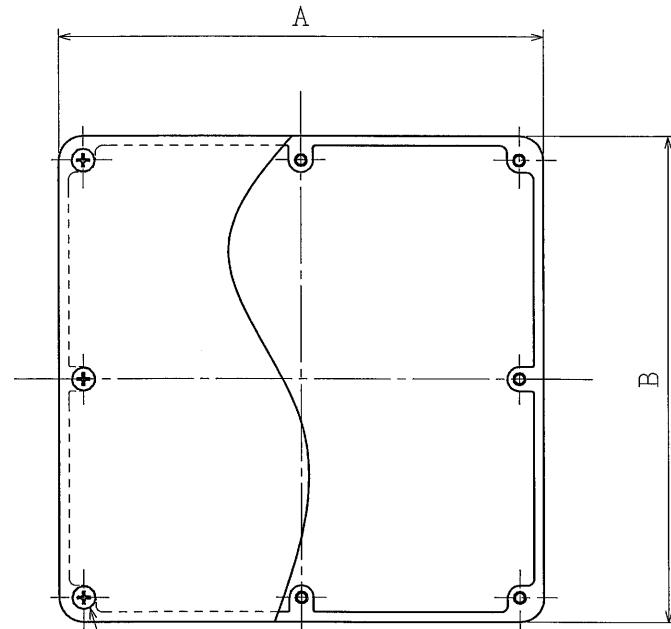
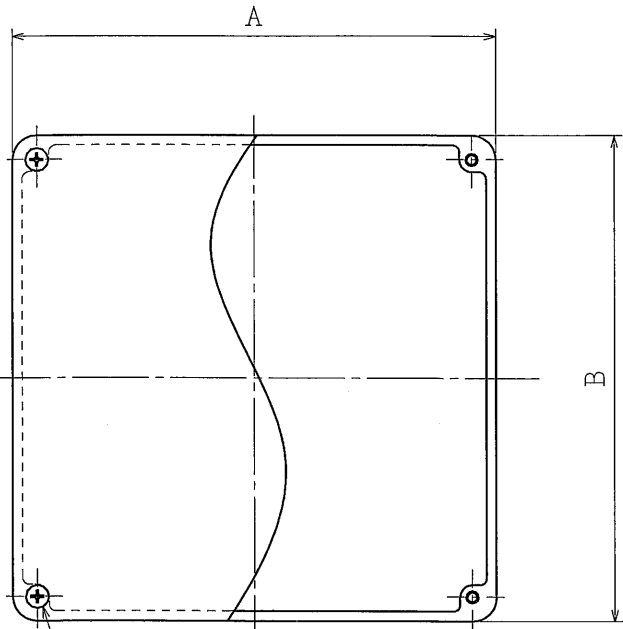




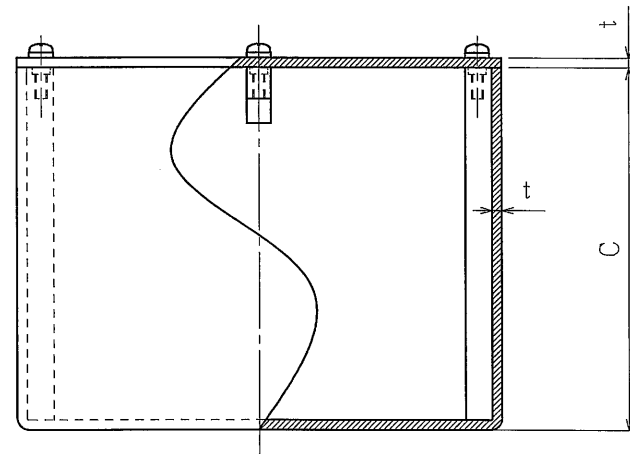
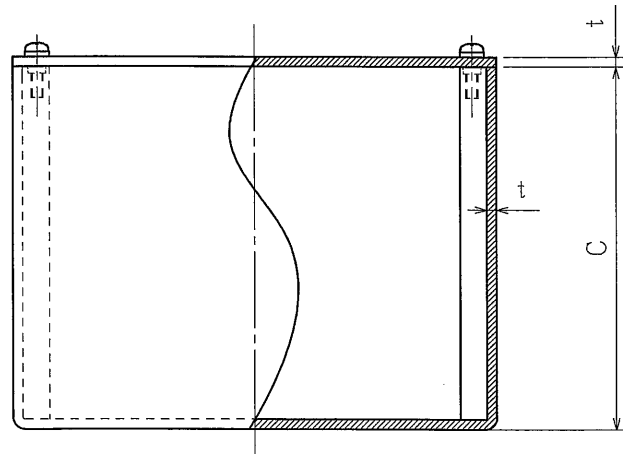
300角以下

400角



4-M4×15なべねじ (SUS) 脱落防止 (150角以下)
4-M5×15なべねじ (SUS) 脱落防止 (200角以上)

8-M5×15なべねじ (SUS) 脱落防止



品番			サイズ			
グレー	アイボリー	ホワイト	A	B	C	t
PB101075GHW	PB101075JHW	PB101075WHW	100	100	75	3
PB101010GHW	PB101010JHW	PB101010WHW	100	100	100	3
PB121280GHW	PB121280JHW	PB121280WHW	120	120	80	3.5
PB151575GHW	PB151575JHW	PB151575WHW	150	150	75	4
PB151510GHW	PB151510JHW	PB151510WHW	150	150	100	4
PB151515GHW	PB151515JHW	PB151515WHW	150	150	150	4
PB202075GHW	PB202075JHW	PB202075WHW	200	200	75	4
PB202010GHW	PB202010JHW	PB202010WHW	200	200	100	4
PB202015GHW	PB202015JHW	PB202015WHW	200	200	150	4
PB202020GHW	PB202020JHW	PB202020WHW	200	200	200	4
PB252510GHW	PB252510JHW	PB252510WHW	250	250	100	4
PB252515GHW	PB252515JHW	PB252515WHW	250	250	150	4
PB252520GHW	PB252520JHW	PB252520WHW	250	250	200	4
PB252525GHW	PB252525JHW	PB252525WHW	250	250	250	4
PB303010GHW	PB303010JHW	PB303010WHW	300	300	100	4
PB303015GHW	PB303015JHW	PB303015WHW	300	300	150	4
PB303020GHW	PB303020JHW	PB303020WHW	300	300	200	4
PB303025GHW	PB303025JHW	PB303025WHW	300	300	250	4
PB303030GHW	PB303030JHW	PB303030WHW	300	300	300	4
PB404020GHW	PB404020JHW	PB404020WHW	400	400	200	4
PB404030GHW	PB404030JHW	PB404030WHW	400	400	300	4
PB404040GHW	PB404040JHW	PB404040WHW	400	400	400	4



※高耐候性・耐衝撃性樹脂の製品です。

品番	
材質	硬質塩化ビニル
表面処理 又は色	
備考	

品名	プルボックス (平蓋)	尺度
図番	W00-0427-A01	△
日動電工株式会社		